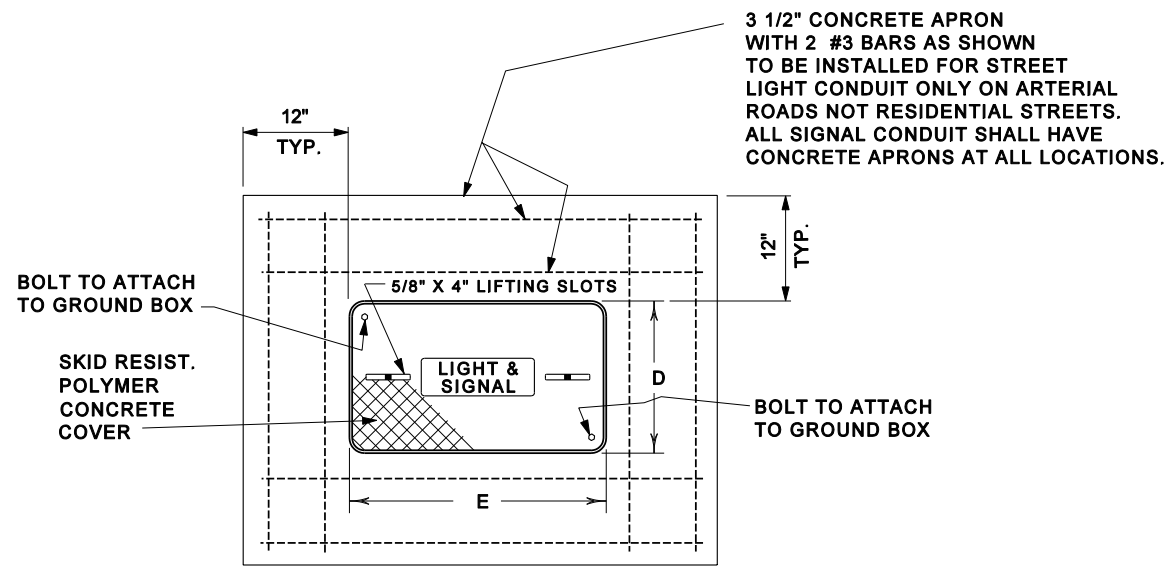


| PULLBOX | NOMINAL BOX DIMENSIONS | | | NOMINAL COVER DIMENSIONS | |
|---------|------------------------|---------|-----|--------------------------|---------|
| | A | B | C | D | E |
| SMALL | 16 1/4" | 23 1/4" | 12" | 11 3/8" | 18 1/8" |
| LARGE | 20 3/4" | 32 1/2" | 12" | 19 1/2" | 31 1/2" |

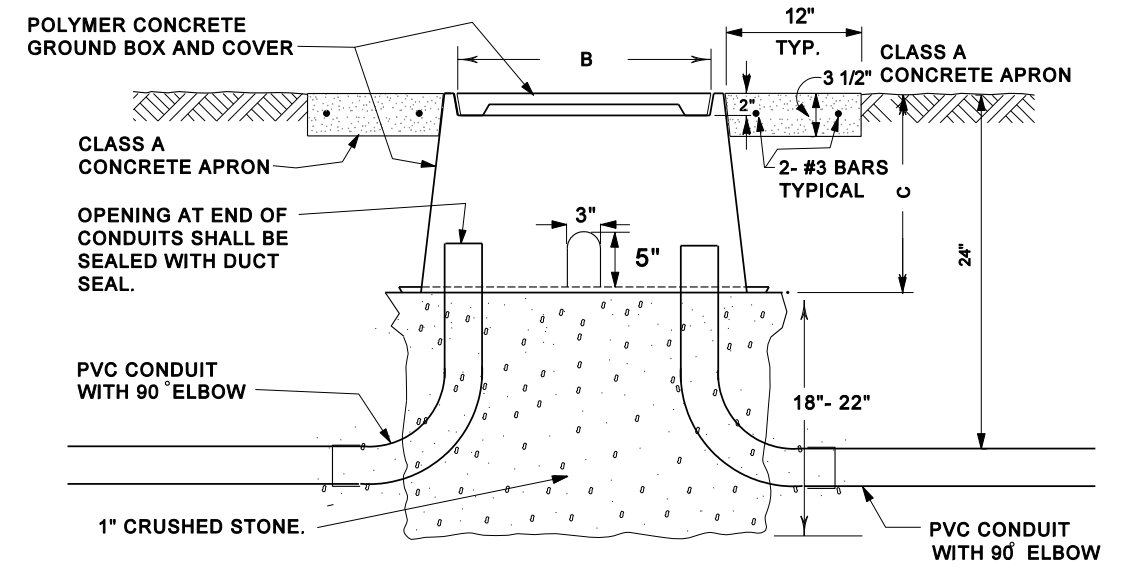
**GROUND BOX DETAIL
(PULL BOX)**



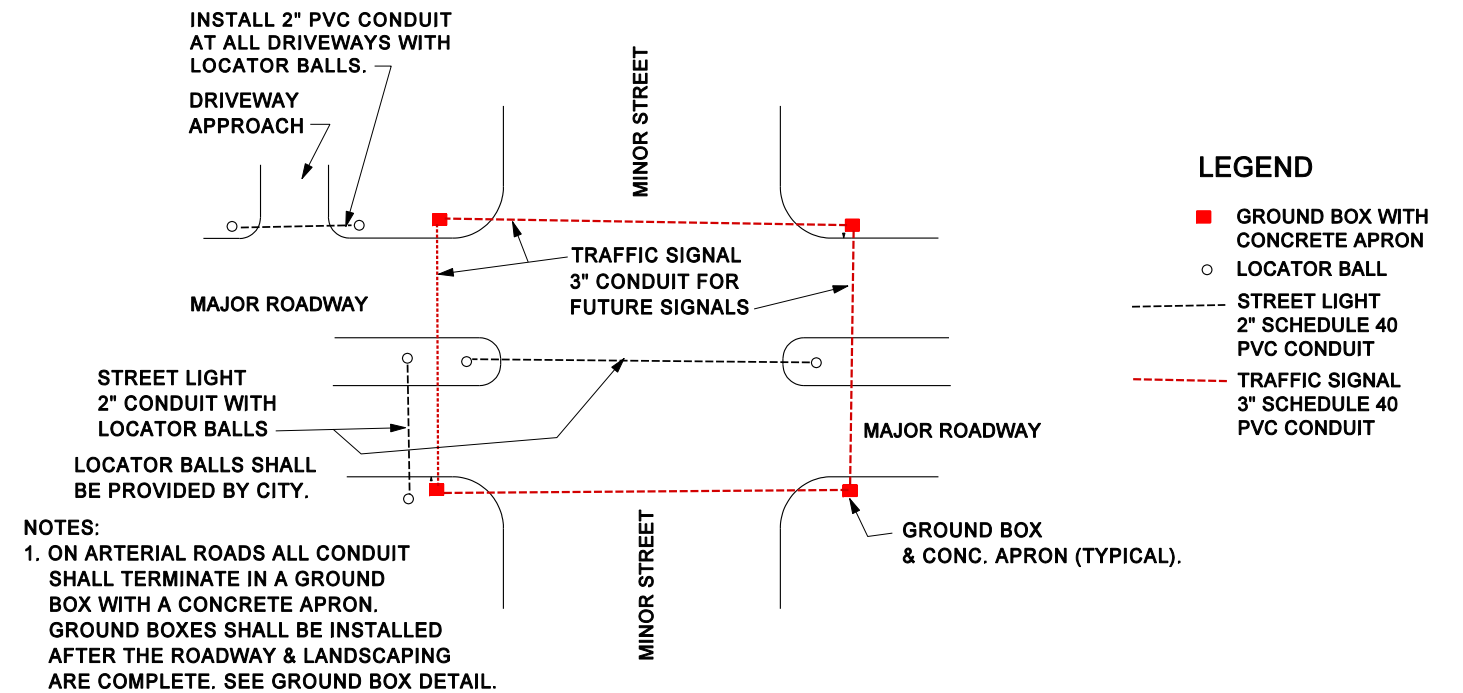
COVER

GROUND BOX NOTES

GROUND BOXES AND COVERS SHALL BE MANUFACTURED FROM REINFORCED POLYMER CONCRETE (RPM) COMPOSED OF BOROSILICATE GLASS FIBER, A CATALYZED POLYESTER RESIN AND AN AGGREGATE. SIDE WALLS MAY BE FIBER REINFORCED POLYMER. BOTTOM EDGE OF BOX OR EXTENSION SHALL BE FOOTED WITH A MINIMUM 1 1/4" FLANGE. COVER LIFT EYE-----MOLDED WITH COVER COVER LETTERING-----1" INCISED LETTERS "LIGHT & SIGNAL" GROUND BOX AND COVER MUST BE ABLE TO WITHSTAND A MINIMUM 12,000 LB PER WHEEL LOAD. LOAD REQUIREMENTS SHALL BE TESTED BY AN INDEPENDENT LABORATORY AND A CERTIFICATION OF SUCH TESTS SHALL BE SUBMITTED TO THE ENGINEER FOR APPROVAL. THE GROUND BOXES FOR THIS PROJECT SHALL MEET THE REQUIREMENTS SHOWN ABOVE. THE CONTRACTOR WILL BE PERMITTED TO FURNISH LIKE MATERIALS OF ANY MANUFACTURER PROVIDED THEY ARE OF EQUAL QUALITY AND COMPLY WITH THE SPECIFICATIONS.



SECTION A-A
SHOWING DIMENSIONS OF BOX AND ACCOMPANYING FIELD INSTALLATION



NOTES:
1. ON ARTERIAL ROADS ALL CONDUIT SHALL TERMINATE IN A GROUND BOX WITH A CONCRETE APRON. GROUND BOXES SHALL BE INSTALLED AFTER THE ROADWAY & LANDSCAPING ARE COMPLETE. SEE GROUND BOX DETAIL.

TYPICAL CONDUIT PLACEMENT AT NEW ROAD CONSTRUCTION



THE SEAL APPEARING ON THIS DOCUMENT WAS AUTHORIZED BY RONNIE R. VARNELL, P.E. 52203 ON 1-31-08.

DEPT OF TRANSPORTATION AND PUBLIC WORKS
TRAFFIC SERVICES DIVISION



STREET LUMINAIRE CONDUIT & GROUND BOX DETAILS

| | | | | |
|-------------------------|-------------------|-----------------------------|---------------|----------|
| DESIGNED BY: JOE RADENZ | DATE: 1-29-08 | CHECKED BY: | DATE: | LOC. No. |
| DRAWN BY: JOE RADENZ | DATE: 1-29-08 | APPROVED BY: RONNIE VARNELL | DATE: 1-29-08 | |
| SCALE: N.T.S. | DRAWING No.: 3256 | SHEET No. 5 OF 5 | | |